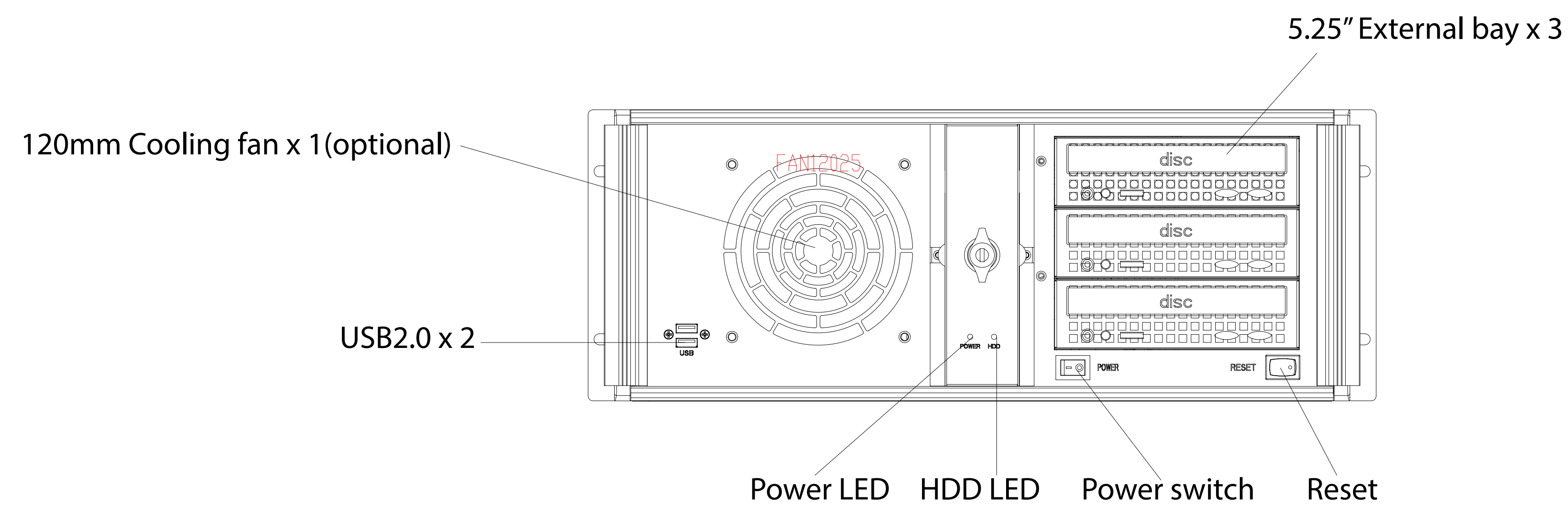
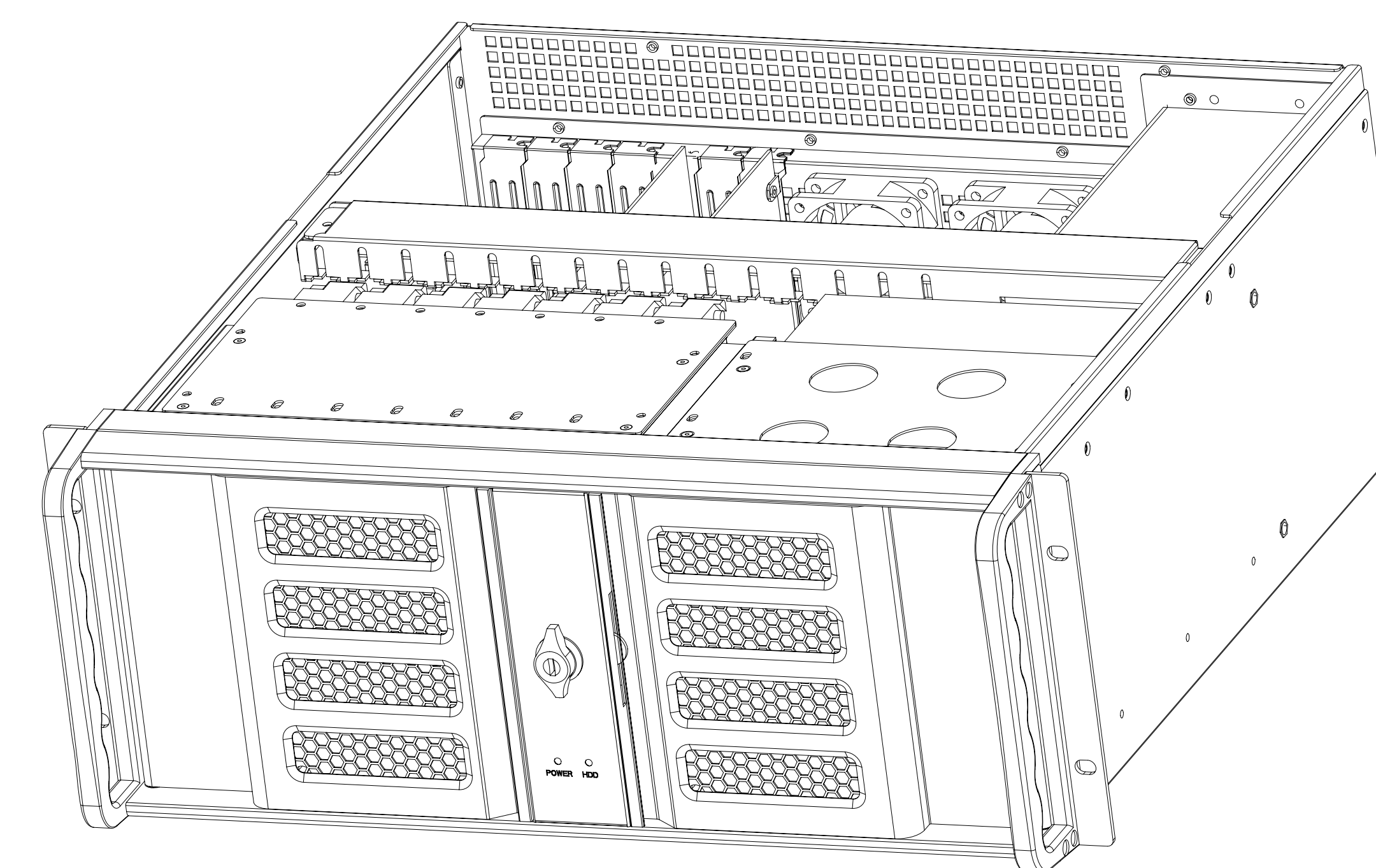
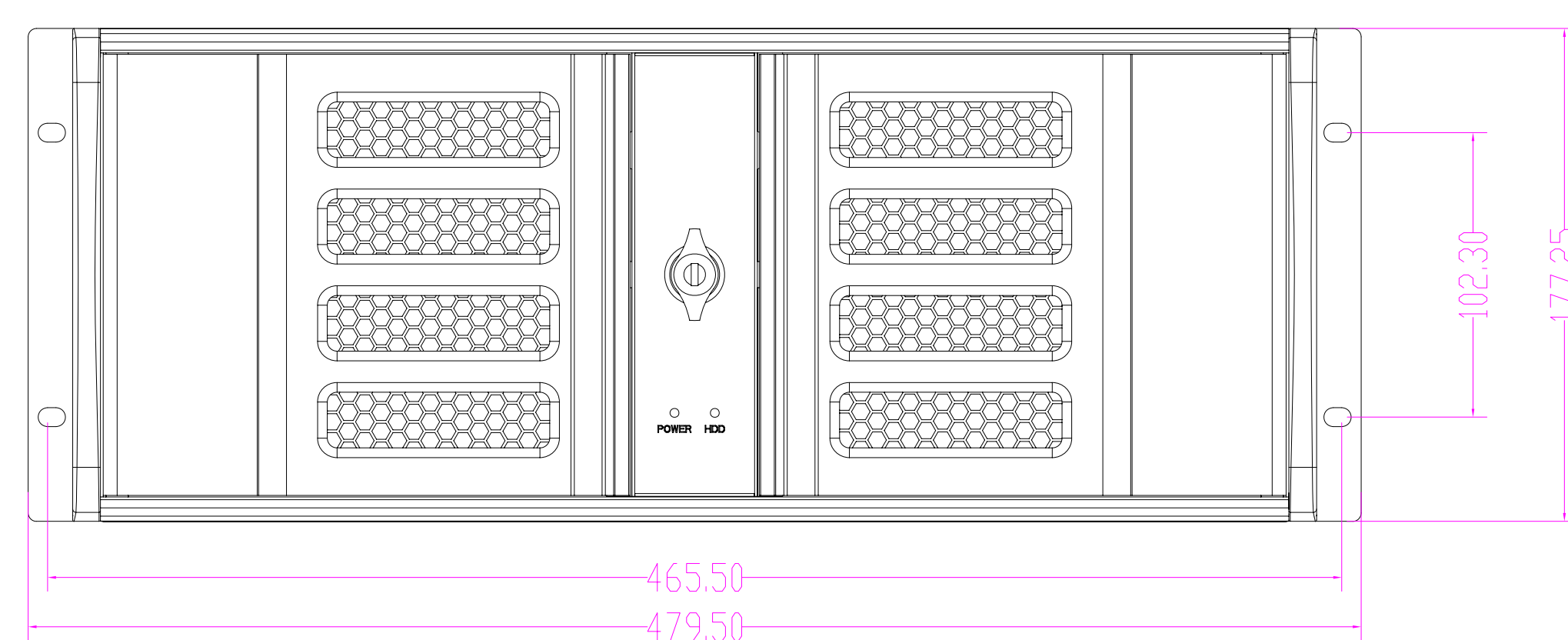
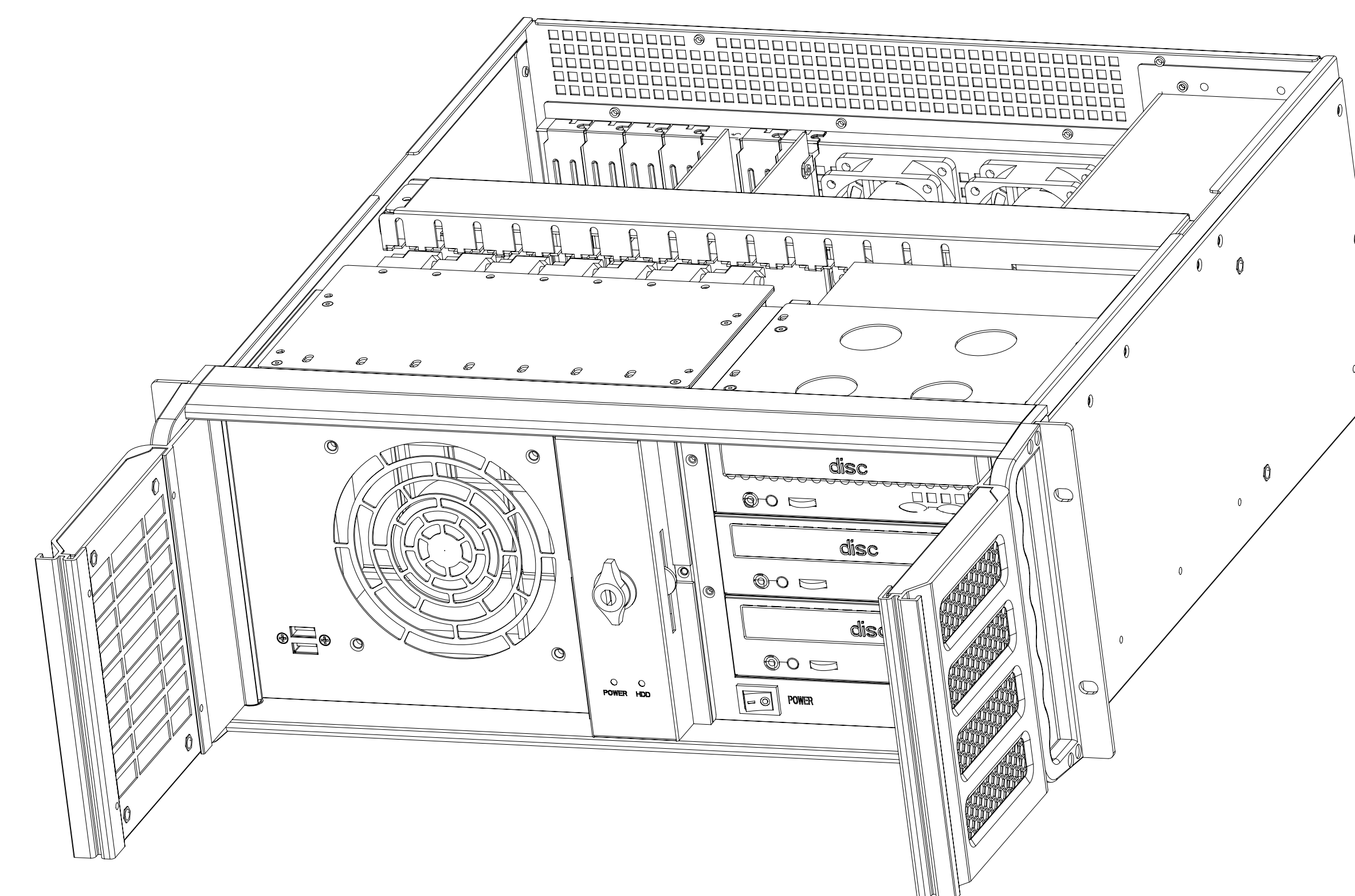
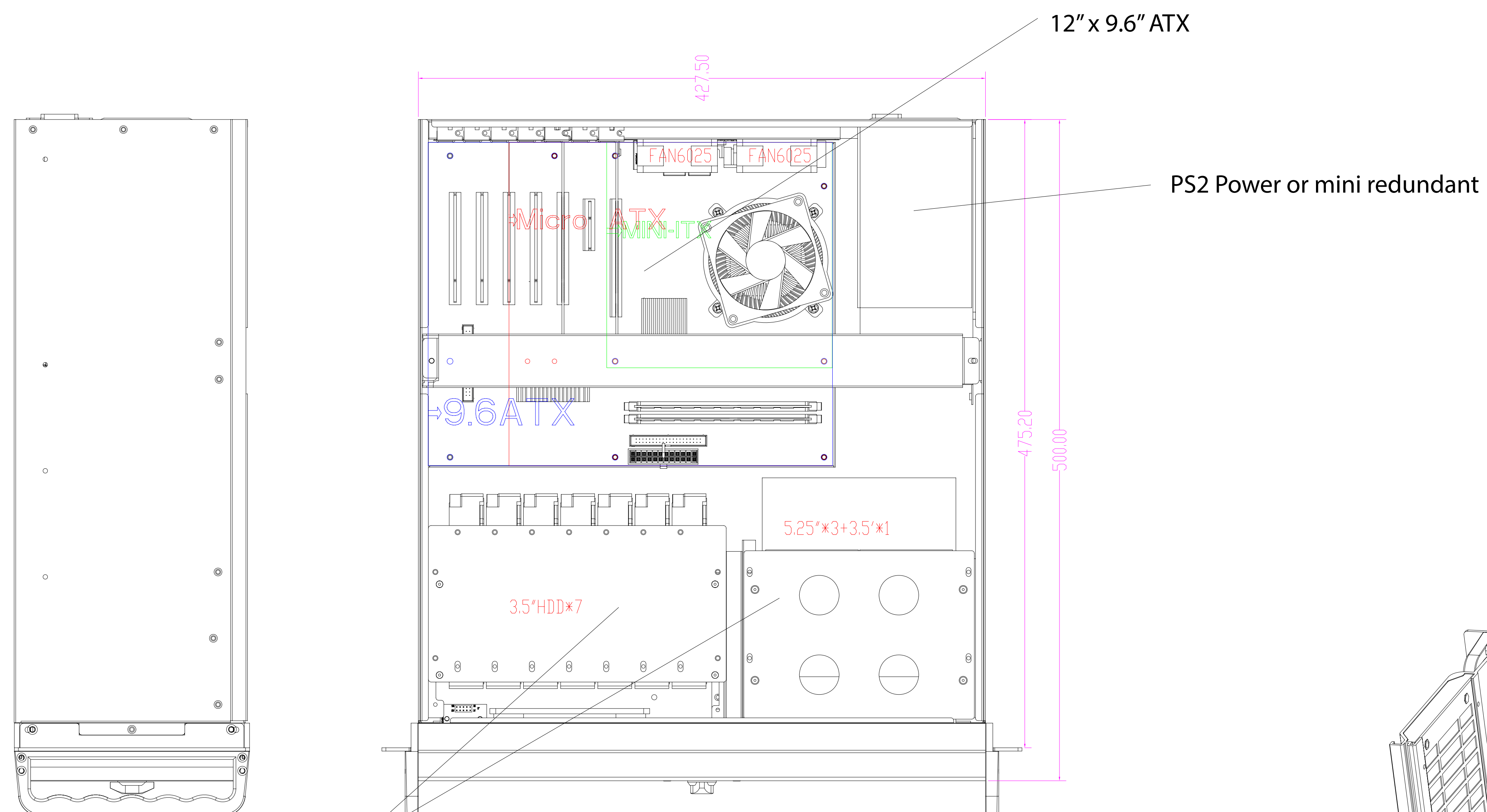
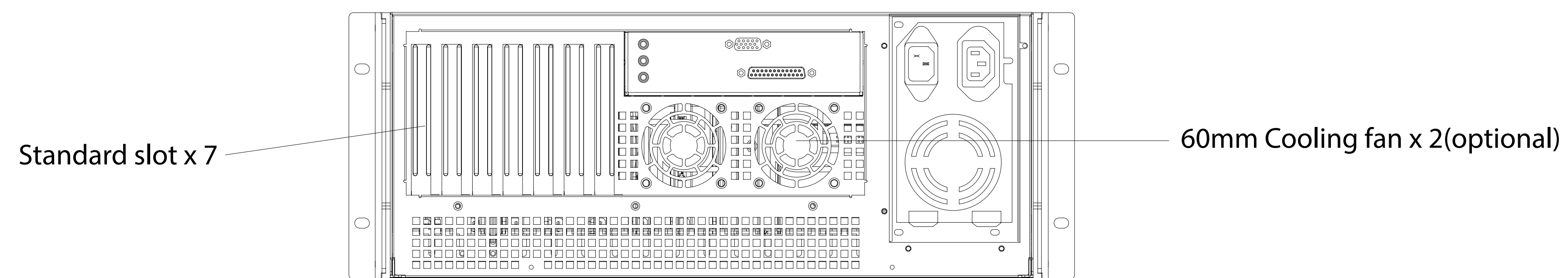


Model NO	D-413ASE
Ext	5.25" x 3
Hid	3.5" x 8
M/B	12" x 9.6" ATX
Fan	1x120mm(optional) 2x60mm(optional)
Slot	7
Rev	



APPROVED

2014/07/24