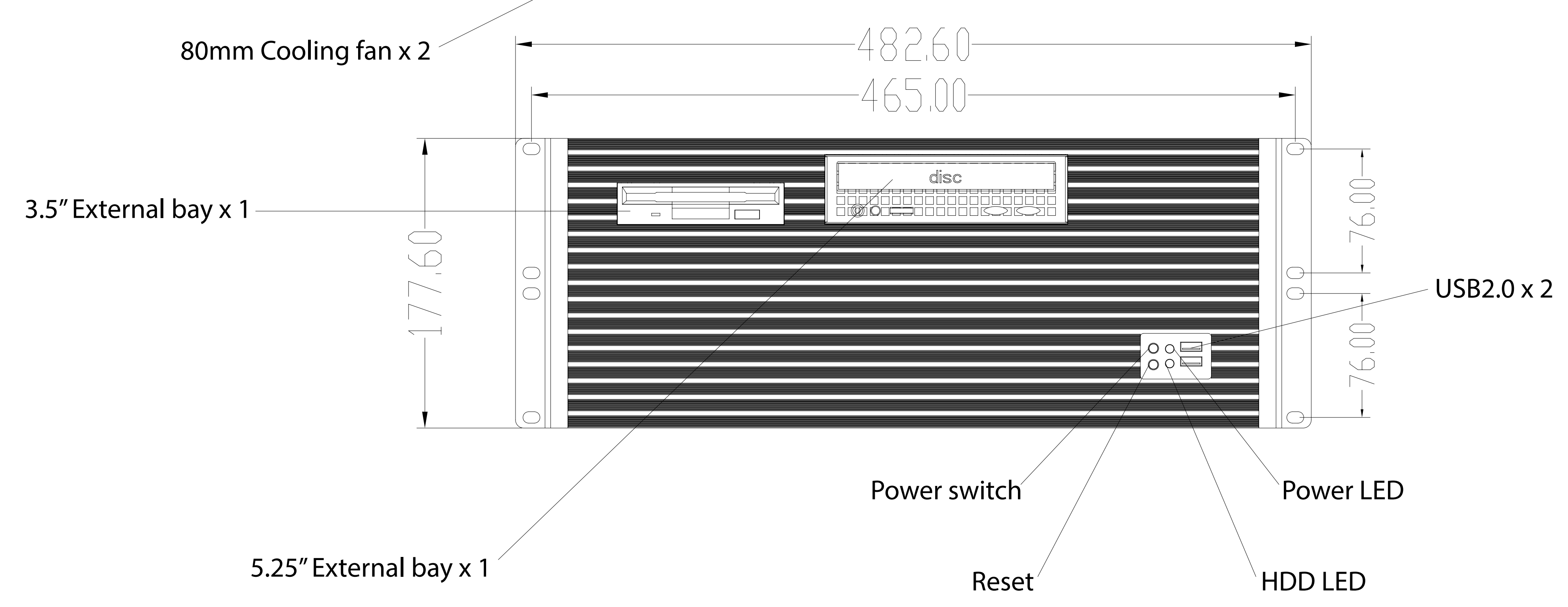
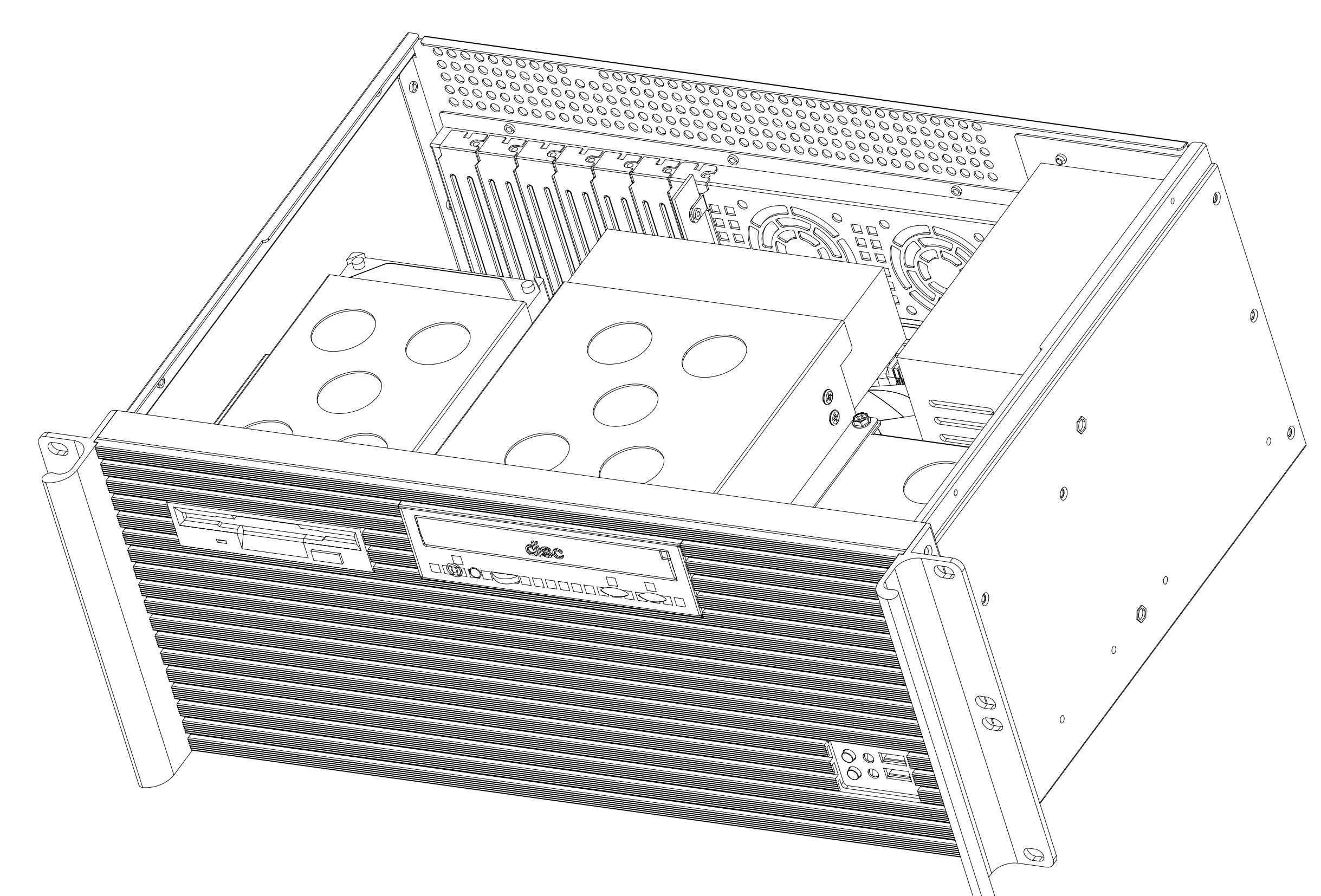
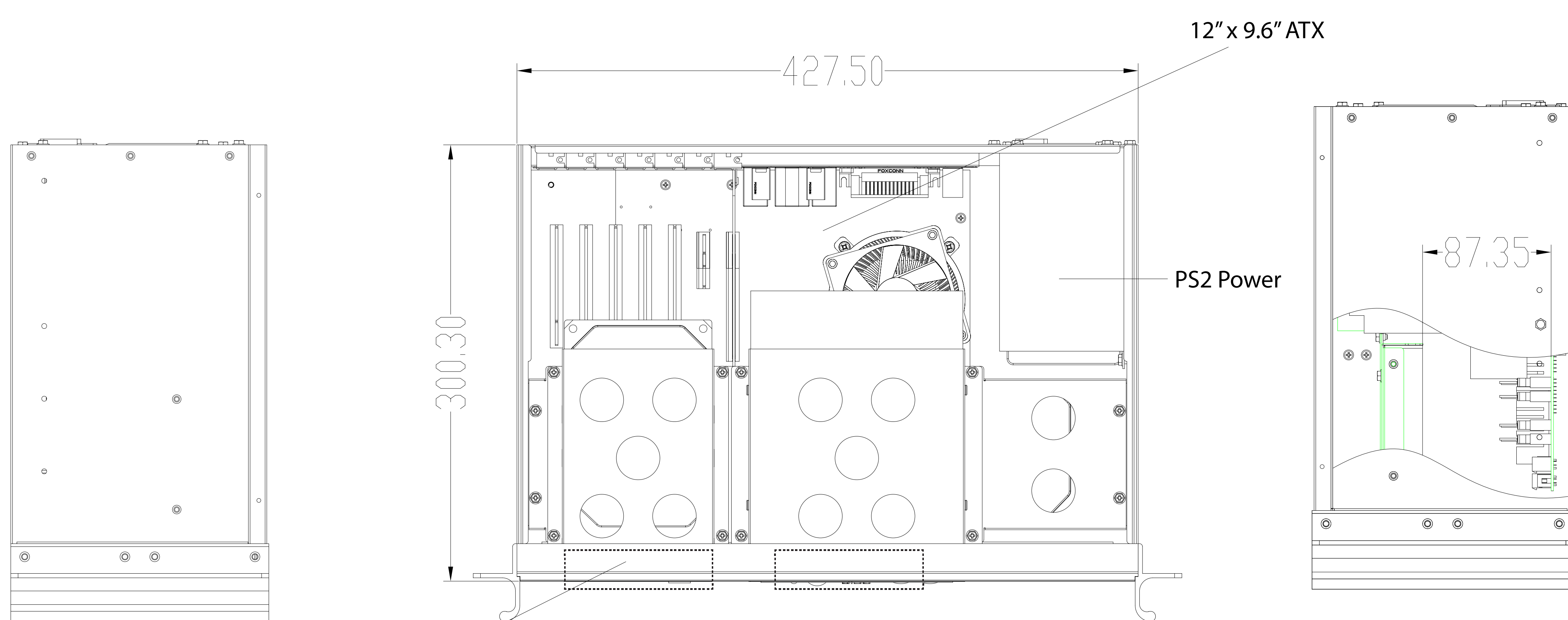
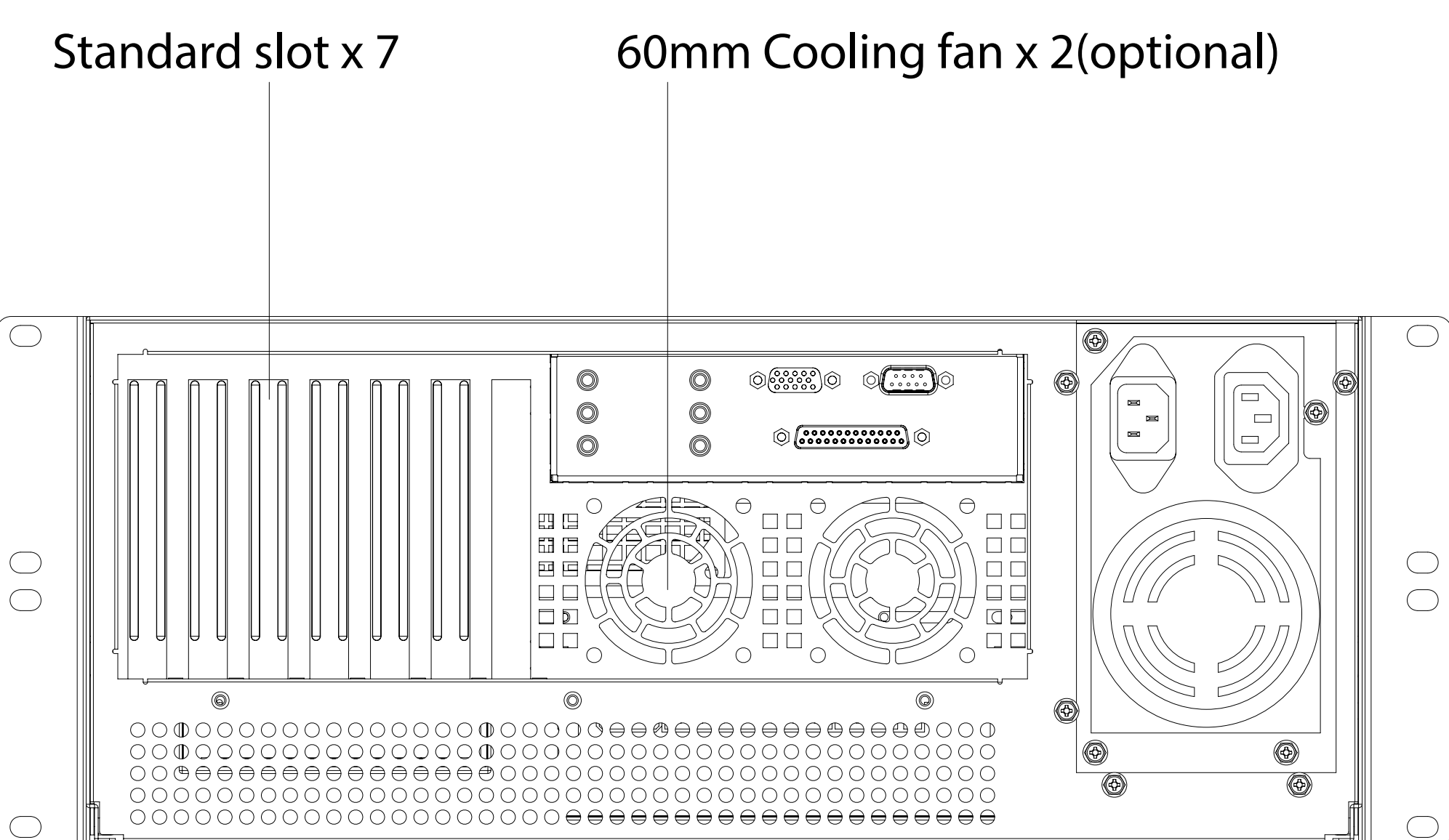


Model NO	D-411S3
Ext	5.25" x 1/ 3.5" x 1
Hid	
M/B	12" x 9.6" ATX
Fan	2 x 80mm 2 x 60mm (optional)
Slot	7
Rev	



APPROVED